

KWTUS 7074 F

Built-under wine conditioning unit, 82–88 cm niche height with separate temperature zones, FlexiFrame and ActiveHumidity in a compact



- Perfect drinking and storage temperatures thanks to separate temperature zones
- Storage of all bottle sizes/shapes thanks to FlexiFrame
- Perfect regulation of humidity with ActiveHumidity
- Writing on the wooden shelves on the NoteBoard
- UV-resistant insulated glass perfectly protects your wine



EAN: 4002516861942 / Material number: 12731310 / Old Material Number: 39707410GB

General information	
Model identifier	KWTUS 7074 F
Manufacturer material number	12731310
EAN number	4002516861942
Marketing class	Platinum
Appliance category	
Wine conditioning unit	•
Construction type	
Built-in appliance	•
Integrated appliance	•
Undercounter appliance	•
Door hinge	right
Convertible door hinging	•
Side-by-side enabled	•
Design	
Casing colour	black
Front colour	Obsidian Black glass
Wine compartment lighting	continuously dimmable LED
User convenience	
Networking with Miele@home	•
Door opening aid	FrontOpen
DynaCool	•
ActiveHumidity	•
Active AirClean filter	•
Total number of shelves	5
Number of shelves	4
Shelf material	Beechwood
Number of FlexiFrame racks	3
Number of shelves for crosswise storage	1
SelfClose FlexiFrame	•
NoteBoard	Yes
Low-vibration storage	•
Control system	
Operating concept	FreshTouch
No. of temperature zones	2
Min. temperature setting range in °C	5
Max. temperature setting range in °C	20
Sabbath mode	•
Fridge/Fridge section	
Dry back wall	grey
Efficiency and sustainability	
Energy efficiency class (A–G)	F
Annual energy consumption in kWh	104.00
Energy consumption in 24 h in kWh	0.28
Safety	
Lock function	•
Acoustic door alarm	•

KWTUS 7074 F

Built-under wine conditioning unit, 82–88 cm niche height
with separate temperature zones, FlexiFrame and ActiveHumidity in a compact

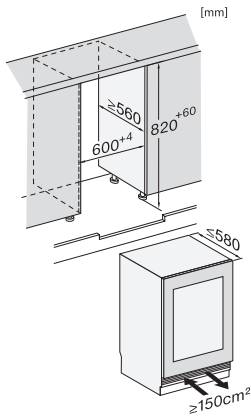


EAN: 4002516861942 / Material number: 12731310 / Old Material Number: 39707410GB

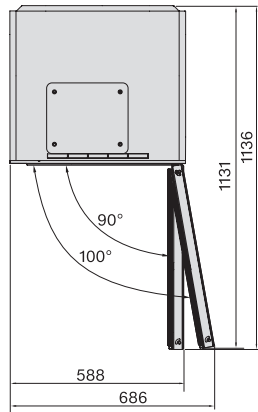
Acoustic temperature alarm	•
Optical door alarm	•
Optical temperature alarm	•
Technical data	
Niche width in mm min.	600
Niche width in mm max.	600
Niche height in mm min.	820
Niche height in mm max.	880
Niche depth in mm	560
Appliance width in mm	597
Appliance height in mm	819
Appliance depth in mm	563
Weight in kg	44.0
Climate range	SN-ST
Refrigerator compartment in l	92
Total usable capacity in l	92
0.75 l Bordeaux bottle capacity (no. of bottles)	32 bottles
Acoustic airborne noise emission class (A–D)	B
Sound emissions in dB(A) re 1 pW	34
Current consumption (mA)	1500
Voltage in V	220-240
Fuse rating in A	13
Number of phases	1
Frequency in Hz	50-60
Length of supply lead in m	2.2
Accessories included	
White chalk pen	•

KWTUS 7074 F

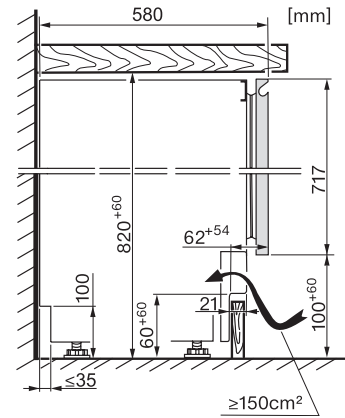
Built-under wine conditioning unit, 82–88 cm niche height with separate temperature zones, FlexiFrame and ActiveHumidity in a compact



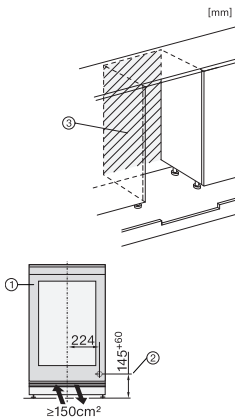
KWTUS7054F, KWTUS7055F, KWTUS7074F, KWTUS7096E, Built-under, niche dimensions



KWTUS7054F, KWTUS7055F, KWTUS7074F, Built-under, top view

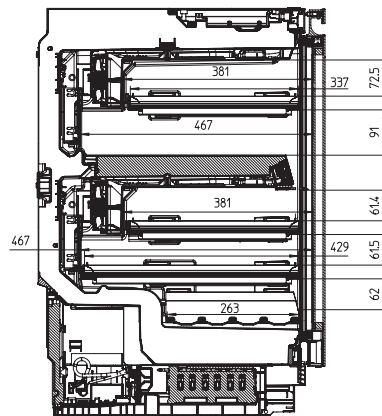


KWTUS7054F, KWTUS7055F, KWTUS7074F, Built-under, side view

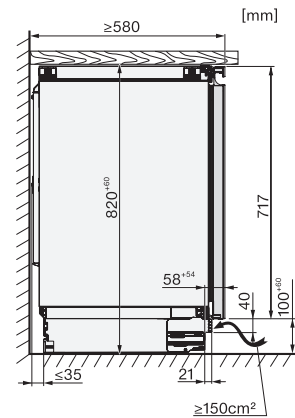


KWTUS7054F, KWTUS7055F, KWTUS7074F, KWTUS7096E, Built-under, side view (*footnote)

1. View from the front, 2. Mains connection cable, L = 2200 mm, 3. No connection in this area



KWTUS7074F, interior dimensions



KWTUS7054F, KWTUS7055F, KWTUS7074F, Built-under, side view