

## G 5651 SCVi Active

Fully integrated dishwashers

in tried-and-tested Miele quality at an affordable entry-level price.



- Best energy efficiency class A – energy-saving and eco-friendly
- Completely dry – Miele AutoOpen drying
- Perfect results in less than one hour – QuickPowerWash
- Save up to 50 % electricity with the Miele hot water connection
- Flexible basket design perfect for everyday use – Comfort baskets
- Very easy door opening and closing – ComfortClose



EAN: 4002516913658 / Material number: 12864940 /  
Old Material Number: 21565162GB

<b>Model</b>	
Fully integrated dishwasher	•
60 cm dishwasher	•
<b>Design</b>	
Control panel colour	Stainless Steel.
Control panel version	Fully integrated fascia
Control type	Programme selector button
Display	3-digit 7-segment display
Display colour	Yellow
<b>Convenience</b>	
Door closing aid	AutoClose
Time left display	•
Delay start up to 24 hours	•
In-operation indicator light	acoustic
<b>Efficiency and sustainability</b>	
Energy efficiency class (A–G)	A
Water consumption in the Automatic programme in l from	6.0
Water consumption of the ECO programme in litres per programme cycle	8.2
Electricity consumption in the ECO programme in kWh	0.54
Energy consumption of the ECO programme in kWh after 100 programme cycles	54
Consumption value in kWh in the ECO programme with hot water connection	0.30
Duration of ECO programme in minutes	258
Number of place settings	14
Noise emission class	C
EcoPower Technology	•
Proven hygiene	•
Hot water connection	•
Half load	•
Standby power (sleep mode)	0.30
<b>Quality of results</b>	
Fresh water dishwasher	•
AutoOpen drying	•
BrilliantGlassCare	•
<b>Wash programmes</b>	
QuickPowerWash	•
ECO	•
Automatic	•
Intensive 75 °C	•
Gentle	•
<b>Dishwashing options</b>	
Express	•
Extra Clean	•
Extra dry	•
<b>Basket design</b>	
Cutlery loading	Cutlery tray

## G 5651 SCVi Active

Fully integrated dishwashers

in tried-and-tested Miele quality at an affordable entry-level price.



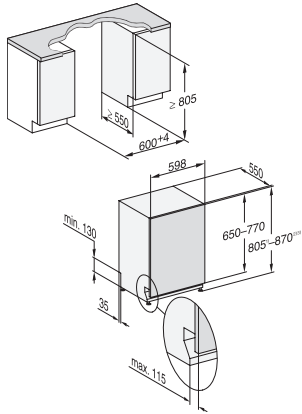
EAN: 4002516913658 / Material number: 12864940 /  
Old Material Number: 21565162GB

FlexCare cup rack	1
Basket design	Comfort
<b>Safety</b>	
Waterproof system	•
<b>Technical data</b>	
Niche width minimal in mm	600
Niche width max in mm	600
Niche height minimal in mm	805
Niche height maximal in mm	870
Niche depth in mm	550
Appliance width in mm	598
Appliance height in mm	805
Appliance depth in mm	550
Depth with door open in cm	116.5
Net weight in kg	44.0
Total rated load in kW	2.00
Voltage in V	230
Fuse rating in A	10
Number of phases	1
Electrical frequency standard	50
Length of water inlet hose in m	1.50
Length of water drain hose in m	1.50
Length of supply lead in m	1.80
Min. front panel weight in kg	4.0
Max. front panel weight in kg	11.0
[can be retrofitted by Service to min.]	8.0
[can be retrofitted by Service to max.]	16.0
<b>Accessories included</b>	
Voucher for 1 x box of UltraTabs (20 tabs) or 3 boxes (60 tabs in each) at a reduced price	•

## G 5651 SCVi Active

Fully integrated dishwashers

in tried-and-tested Miele quality at an affordable entry-level price.



G7000, fully integrated dishwasher, 60cm (installation drawing)

1) Plinth height 35-155 mm, 2) Plinth height 100-220 mm, 3) Appliance height max. 930 mm with plinth height conversion kit (Mat.-Nr. 6.394.761),