

G 5832 SC Active Plus S
Freestanding dishwashers
for optimum drying results thanks to AutoOpen drying.



- Best energy efficiency class A – energy-saving and eco-friendly
- Perfect results in less than one hour – QuickPowerWash
- Wonderful use of space – the 3D MultiFlex tray with more room for your cutlery
- Fresh water dishwashers – as little as 6.0 l water consumed in Automatic programme
- Flexible basket design perfect for everyday use – Comfort baskets
- Drawer or basket? Both! You decide thanks to the additional cutlery basket



EAN: 4002516913696 / Material number: 12864980 /
Old Material Number: 21583216GB

Model	
Freestanding dishwasher	•
60 cm dishwasher	•
Design	
Control panel colour	Brilliant White
Control panel version	Straight fascia
Control type	Programme selector button
Display	3-digit 7-segment display
Display colour	White
Convenience	
Door closing aid	AutoClose
Time left display	•
Delay start up to 24 hours	•
In-operation indicator light	Display
Efficiency and sustainability	
Energy efficiency class (A–G)	A
Water consumption in the Automatic programme in l from	6.0
Water consumption of the ECO programme in litres per programme cycle	8.2
Electricity consumption in the ECO programme in kWh	0.54
Energy consumption of the ECO programme in kWh after 100 programme cycles	54
Consumption value in kWh in the ECO programme with hot water connection	0.30
Duration of ECO programme in minutes	258
Number of place settings	14
Noise emission class	B
EcoPower Technology	•
Proven hygiene	•
Hot water connection	•
Half load	•
Quality of results	
Fresh water dishwasher	•
AutoOpen drying	•
BrilliantGlassCare	•
Wash programmes	
QuickPowerWash	•
ECO	•
Automatic	•
Intensive 75 °C	•
Gentle	•
Dishwashing options	
Express	•
Extra Clean	•
Extra dry	•
Basket design	
Cutlery loading	3D MultiFlex tray
Additional cutlery basket	•

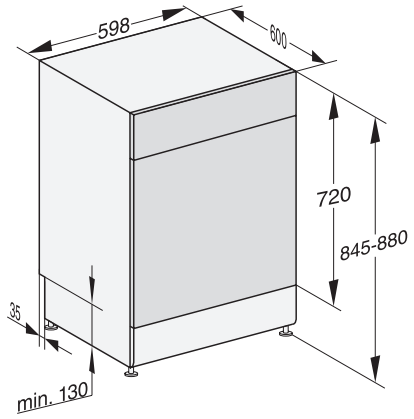
G 5832 SC Active Plus S
 Freestanding dishwashers
 for optimum drying results thanks to AutoOpen drying.



EAN: 4002516913696 / Material number: 12864980 /
 Old Material Number: 21583216GB

FlexCare cup rack	1
Basket design	Comfort
Safety	
Waterproof system	•
Safety lock	•
Technical data	
Niche width minimal in mm	600
Niche width max in mm	600
Niche height minimal in mm	845
Niche height maximal in mm	880
Niche depth in mm	600
Appliance width in mm	598
Appliance height in mm	845
Appliance depth in mm	600
Depth with door open in cm	119.5
Net weight in kg	53.5
Total rated load in kW	2.00
Voltage in V	230
Fuse rating in A	10
Number of phases	1
Electrical frequency standard	50
Length of water inlet hose in m	1.50
Length of water drain hose in m	1.50
Length of supply lead in m	1.80
Accessories included	
Voucher for 1 x box of UltraTabs (20 tabs) or 3 boxes (60 tabs in each) at a reduced price	•

G 5832 SC Active Plus S
Freestanding dishwashers
for optimum drying results thanks to AutoOpen drying.



G7000, free standing dishwasher, 60cm (installation drawing)