

G 5862 SCVi Active Plus S
Fully integrated dishwashers
for optimum drying results thanks to AutoOpen drying.



- Best energy efficiency class A – energy-saving and eco-friendly
- Perfect results in less than one hour – QuickPowerWash
- Wonderful use of space – the 3D MultiFlex tray with more room for your cutlery
- Fresh water dishwashers – as little as 6.0 l water consumed in Automatic programme
- Flexible basket design perfect for everyday use – Comfort baskets
- Drawer or basket? Both! You decide thanks to the additional cutlery basket



EAN: 4002516913726 / Material number: 12865010 /
Old Material Number: 21586262GB

Model	
Fully integrated dishwasher	•
60 cm dishwasher	•
Design	
Control panel colour	Stainless Steel.
Control panel version	Fully integrated fascia
Control type	Programme selector button
Display	3-digit 7-segment display
Display colour	White
Convenience	
Door closing aid	AutoClose
Time left display	•
Delay start up to 24 hours	•
In-operation indicator light	acoustic
Efficiency and sustainability	
Energy efficiency class (A–G)	A
Water consumption in the Automatic programme in l from	6.0
Water consumption of the ECO programme in litres per programme cycle	8.2
Electricity consumption in the ECO programme in kWh	0.54
Energy consumption of the ECO programme in kWh after 100 programme cycles	54
Consumption value in kWh in the ECO programme with hot water connection	0.30
Duration of ECO programme in minutes	258
Number of place settings	14
Noise emission class	B
EcoPower Technology	•
Proven hygiene	•
Hot water connection	•
Half load	•
Standby power (sleep mode)	0.30
Quality of results	
Fresh water dishwasher	•
AutoOpen drying	•
BrilliantGlassCare	•
Wash programmes	
QuickPowerWash	•
ECO	•
Automatic	•
Intensive 75 °C	•
Gentle	•
Dishwashing options	
Express	•
Extra Clean	•
Extra dry	•
Basket design	
Cutlery loading	3D MultiFlex tray

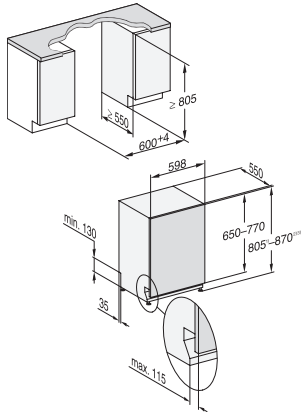
G 5862 SCVi Active Plus S
Fully integrated dishwashers
for optimum drying results thanks to AutoOpen drying.



EAN: 4002516913726 / Material number: 12865010 /
Old Material Number: 21586262GB

Additional cutlery basket	•
FlexCare cup rack	1
Basket design	Comfort
Safety	
Waterproof system	•
Technical data	
Niche width minimal in mm	600
Niche width max in mm	600
Niche height minimal in mm	805
Niche height maximal in mm	870
Niche depth in mm	550
Appliance width in mm	598
Appliance height in mm	805
Appliance depth in mm	550
Depth with door open in cm	116.5
Net weight in kg	44.0
Total rated load in kW	2.00
Voltage in V	230
Fuse rating in A	10
Number of phases	1
Electrical frequency standard	50
Length of water inlet hose in m	1.50
Length of water drain hose in m	1.50
Length of supply lead in m	1.80
Min. front panel weight in kg	4.0
Max. front panel weight in kg	11.0
[can be retrofitted by Service to min.]	8.0
[can be retrofitted by Service to max.]	16.0
Accessories included	
Voucher for 1 x box of UltraTabs (20 tabs) or 3 boxes (60 tabs in each) at a reduced price	•

G 5862 SCVi Active Plus S
Fully integrated dishwashers
for optimum drying results thanks to AutoOpen drying.



G7000, fully integrated dishwasher, 60cm (installation drawing)

1) Plinth height 35-155 mm, 2) Plinth height 100-220 mm, 3) Appliance height max. 930 mm with plinth height conversion kit (Mat.-Nr. 6.394.761),