

## KMDA 7272-1 FR Silence

Induction hob with integrated vapour extraction

806 mm | Extraction and recirculation | SilenceMotor | Individual cooking zones



- The quietest TwoInOne from Miele – Silence motor
- Ample space – 4 round cooking zones
- Automatic fan power regulation – Con@ctivity
- Compact control using the numerical display – ComfortSelect Plus
- Flexible installation – Plug & Play, ducted recirculation or vented system



EAN: 4002516974673 / Material number: 12968740 /  
Old Material Number: 26727276GB

General information	
Model identifier	KMDA 7272-1 FR Silence
Manufacturer material number	12968740
EAN number	4002516974673
Marketing class	Silver
Construction type	
Induction hob with integrated vapour extraction	•
Operating modes	
Exhaust air guided with optional accessories	DFK-xxxx,DMK 150-1
Recirculation air guided with optional accessories	DFK-xxxx,DUU 1500,DUU 600
Unguided recirculation air (Plug&Play installation)	•
Design	
Elegant glass ceramic surface	•
Frameless – surface-mounted	•
Ceramic surface colour	Black
Stainless-steel frame	•
Flush fit extractor	•
Colour of cover grille	Black
Cooking zone details	
Number of cooking zones	4
Maximum number of pans	4
1st cooking zone/cooking area	
Position	front left
Type	Dual-circuit ring
Size in mm	Ø 110-220
Max. rating in W	2300
Max. Booster power rating in W	3000
2nd cooking zone/cooking area	
Position	rear left
Type	Dual-circuit ring
Size in mm	Ø 100-190
Max. rating in W	1400
Max. Booster power rating in W	2100
3rd cooking zone/cooking area	
Position	rear right
Type	Dual-circuit ring
Size in mm	Ø 110-220
Max. rating in W	2300
Max. Booster power rating in W	3000
4th cooking zone/cooking area	
Position	front right
Type	Dual-circuit ring
Size in mm	Ø 100-190
Max. rating in W	1400
Max. Booster power rating in W	2100
User convenience	
Con@ctivity	•

## KMDA 7272-1 FR Silence

Induction hob with integrated vapour extraction

806 mm | Extraction and recirculation | SilenceMotor | Individual cooking zones



EAN: 4002516974673 / Material number: 12968740 /

Old Material Number: 26727276GB

Digital power level display	•
Operation via sensor controls	ComfortSelect Plus
Display colour	Yellow
Permanent pan recognition	•
Run-on time 5/15 min.	•
Active charcoal filter saturation indicator	•
Stop & Go function	•
Recall function	•
Grease filter saturation indicator	•
Minute minder	•
Safety switch-off	•
Auto heat-up	•
Keeping warm	•
Individual setting options (e.g. buzzers)	•
Easy-to-clean canopy interior – CleanCover	•
<b>Efficiency and sustainability</b>	
Energy efficiency class (A+++ to D)	A+
Annual energy consumption in kWh/year	31.3
Fluid dynamic efficiency class	A
Lighting efficiency class	NA
Grease filtering efficiency class	A
ECO motor	•
<b>Cleaning and care</b>	
Easy to clean ceramic glass	•
<b>Filter system</b>	
Number of dishwasher-safe stainless steel grease filters (10-ply)	1
<b>Exhaust air</b>	
Air throughput at min. level (m <sup>3</sup> /h) according to EN 61591	205
Air throughput at max. level (m <sup>3</sup> /h) according to EN 61591	533
Air throughput in Intensive level (m <sup>3</sup> /h) according to EN 61591	606
Sound power at min. level (dB(A) re 1 pW) according to EN 60704-3	41
Sound power at max. level (dB(A) re 1 pW) according to EN 60704-3	64
Sound power in Booster level (dB(A) re 1 pW) acc. to EN 60704-3	68
Sound pressure at min. level (dB(A) re 20 µPa) according to EN 60704-2-13	28.0
Sound pressure at max. level (dB(A) re 20 µPa) according to EN 60704-2-13	51.0
Noise pressure level in Intensive level (dB(A) re 20 µPa) according to EN 60704-2-13	54.0
<b>Recirculation</b>	
Air throughput at min. level (m <sup>3</sup> /h) according to EN 61591	160
Air throughput at max. level (m <sup>3</sup> /h) according to EN 61591	475
Air throughput in Booster level 1 (m <sup>3</sup> /h) according to EN 61591	510

## KMDA 7272-1 FR Silence

Induction hob with integrated vapour extraction

806 mm | Extraction and recirculation | SilenceMotor | Individual cooking zones



EAN: 4002516974673 / Material number: 12968740 /

Old Material Number: 26727276GB

Sound power at min. level (dB(A) re 1 pW) according to EN 60704-3	46.0
---	------

Sound power at max. level (dB(A) re 1 pW) according to EN 60704-3	68.0
---	------

Sound power in Booster level 1 (dB(A) re 1 pW) acc. to EN 60704-3	70.0
---	------

Sound pressure at min. level (dB(A) re 20 µPa) according to EN 60704-2-13	33.0
---	------

Sound pressure at max. level (dB(A) re 20 µPa) according to EN 60704-2-13	55.0
---	------

Sound pressure in Booster level 1 (dB(A) re 20 µPa) acc. to EN 60704-2-13	57.0
---	------

### Safety

Safety switch-off	•
-------------------	---

Lock function	•
---------------	---

System lock	•
-------------	---

Integrated cooling fan	•
------------------------	---

Overheating protection	•
------------------------	---

Residual heat indicator	•
-------------------------	---

Connection for window contact switch	•
--------------------------------------	---

### Technical data

Dimensions in mm (width)	806
--------------------------	-----

Dimensions in mm (height)	194
---------------------------	-----

Dimensions in mm (depth)	526
--------------------------	-----

Casing height incl. connection box in mm	194
--	-----

Cutout dimensions in mm (width) with surface-mounted installation	780 mm
---	--------

Cutout dimensions in mm (depth) with surface-mounted installation	500 mm
---	--------

Weight in kg	16
--------------	----

Total rated load in kW	7.50
------------------------	------

Voltage in V	230
--------------	-----

Frequency in Hz	50-60
-----------------	-------

Length of supply lead in m	1.6
----------------------------	-----

### Accessories included

Mains cable	Yes
-------------	-----

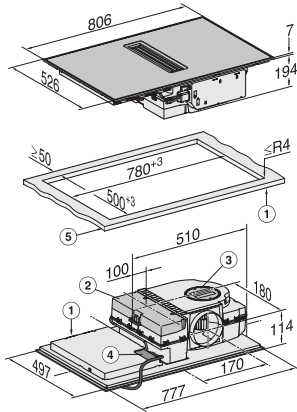
Active charcoal filter DKF 35-P	•
---------------------------------	---

Plug&Play adapter	•
-------------------	---

## KMDA 7272-1 FR Silence

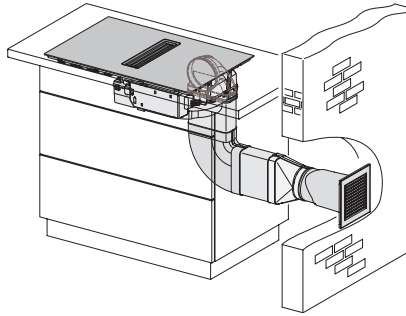
Induction hob with integrated vapour extraction

806 mm | Extraction and recirculation | SilenceMotor | Individual cooking zones

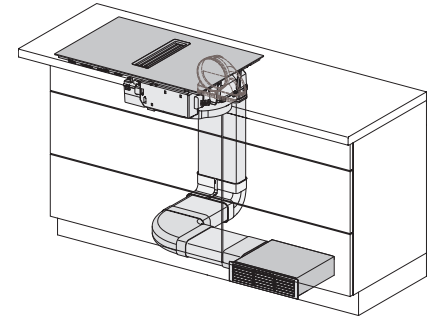


KMDA7272-1FR, KMDA7272FR, KMDA7473FR, KMDA7473-1FR

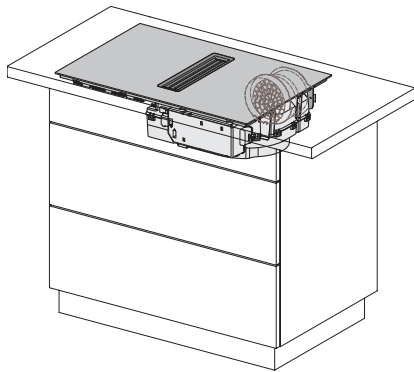
1) Front, 2) removable drip tray, 3) cleaning flap, 4) Mains connection box with mains connection cable, L = 1600 mm, 5) Worktop thickness, Exhaust air and guided recirculation mode: ≥10 mm, Plug&Play operation: ≥10 mm – ≤40 mm



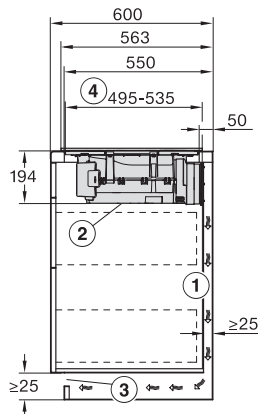
KMDA7272-1FL/FR, KMDA7473-1FL/FR, KMDA7272FL/FR, KMDA7473FL/FR, Exhaust air



KMDA7272-1FL/FR, KMDA7473-1FL/FR, KMDA7272FL/FR, KMDA7473FL/FR, Air circulation

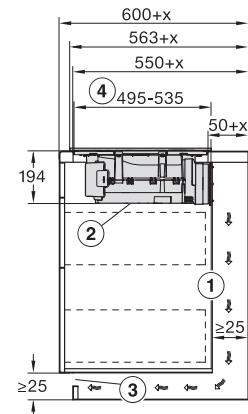


KMDA7272-1FL/FR, KMDA7473-1FL/FR, KMDA7272FL/FR, KMDA7473FL/FR, Plug&Play



KMDA7272-1FR, KMDA7473-1FR, KMDA7272FR, KMDA7473FR – Side view lying on top, Plug&Play

ⓘ When routing the exhaust air between the cabinet wall and an adjacent room wall or an adjacent piece of furniture, a minimum distance of 25 mm must be observed., ⓘ The removable collection tray and the cleaning flap must be accessible after installation., ⓘ The cross-section of the vent opening must be at least 425 cm<sup>2</sup>, ⓘ Distance from the front of the lower box to the end of the plug & play adapter



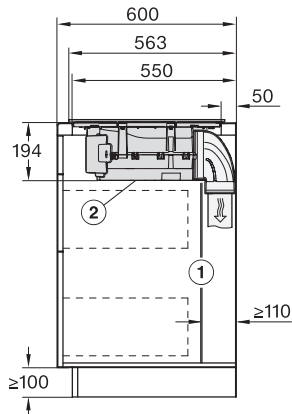
KMDA7272-1FR, KMDA7473-1FR, KMDA7272FR, KMDA7473FR – Side view lying on top+X, Plug&Play

ⓘ When routing the exhaust air between the cabinet wall and an adjacent room wall or an adjacent piece of furniture, a minimum distance of 25 mm must be observed. If the carcass rear wall is > 555 mm from the worktop front, the Plug&Play adapter must be extended with a supplementary set from Miele., ⓘ The removable drip tray and the cleaning flap must be accessible after installation., ⓘ The cross-section of the vent opening must be at least 425 cm<sup>2</sup>, ⓘ Distance from the front of the lower box to the end of the plug & play adapter, , x Dimension by which the worktop depth is greater than 600 mm.

## KMDA 7272-1 FR Silence

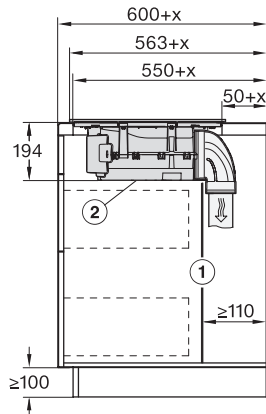
Induction hob with integrated vapour extraction

806 mm | Extraction and recirculation | SilenceMotor | Individual cooking zones



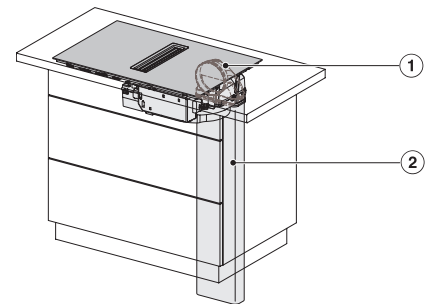
KMDA7272-1FR, KMDA7473-1FR, KMDA7272FR, KMDA7473FR – Side view lying on top

② The rear wall of the cabinet must be removable for servicing. A minimum distance of 110 mm must be maintained for routing the exhaust air duct between the cabinet wall and an adjacent room wall or furniture. ② The removable collection tray and the cleaning flap must be accessible after installation.



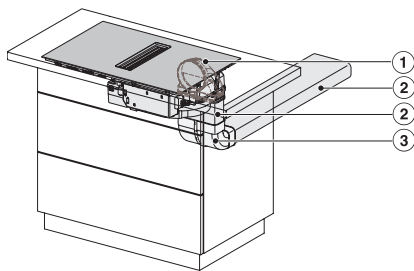
KMDA7272-1FR, KMDA7473-1FR, KMDA7272FR, KMDA7473FR – Side view lying on top+X

② The rear wall of the cabinet must be removable for servicing. A minimum distance of 110 mm must be maintained for routing the exhaust air duct between the cabinet wall and an adjacent room wall or furniture. ② The removable collection tray and the cleaning flap must be accessible after installation., x Dimension by which the worktop depth is greater than 600 mm.



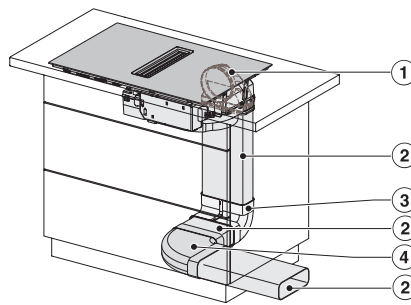
KMDA7272-1FL/FR, KMDA7473-1FL/FR, KMDA7272FL/FR, KMDA7473FL/FR – Installation variant 1 Basis

1) DFK-AK 90, 2) DFK-R 1000



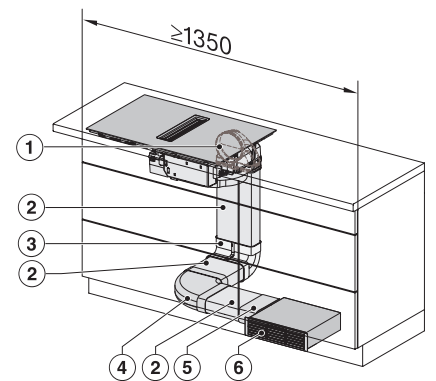
KMDA7272-1FL/FR, KMDA7473-1FL/FR, KMDA7272FL/FR, KMDA7473FL/FR – Installation variant 2 Basis

1) DFK-AK 90, 2) DFK-R 1000, 3) DFK-BV 90



KMDA7272-1FL/FR, KMDA7473-1FL/FR, KMDA7272FL/FR, KMDA7473FL/FR - Installation variant 3 Basis

1) DFK-AK 90, 2) DFK-R 1000, 3) DFK-BV 90, 4) DFK-BH 90



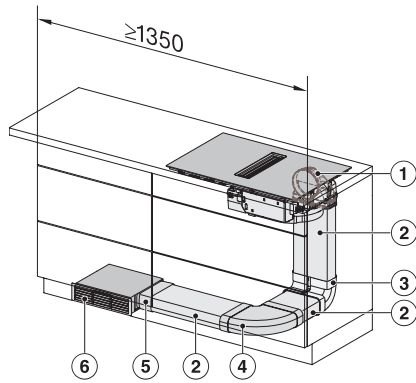
KMDA7272-1FL/FR, KMDA7473-1FL/FR, KMDA7272FL/FR, KMDA7473FL/FR – Installation variant 4 Circulating air

1) DFK-AK 90, 2) DFK-R 1000, 3) DFK-BV 90, 4) DFK-BH 90, 5) DFK-V, 6) DUU 1500, , The minimum width of the cabinet is 1350 mm.

## KMDA 7272-1 FR Silence

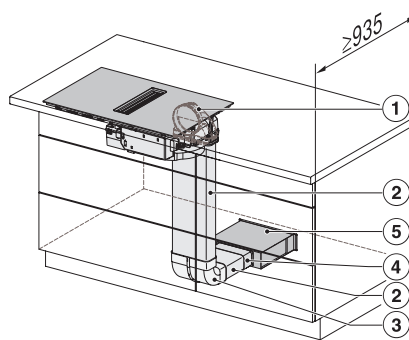
Induction hob with integrated vapour extraction

806 mm | Extraction and recirculation | SilenceMotor | Individual cooking zones



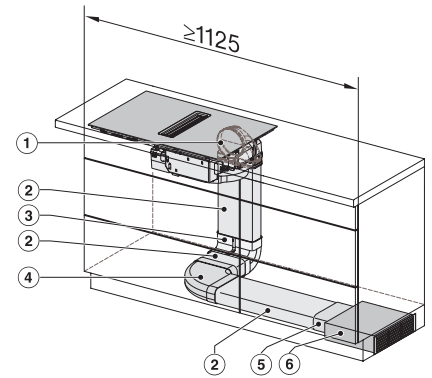
KMDA7272-1FL/FR, KMDA7473-1FL/FR, KMDA7272FL/FR, KMDA7473FL/FR – Installation variant 5 Circulating air

1) DFK-AK 90, 2) DFK-R 1000, 3) DFK-BV 90, 4) DFK-BH 90, 5) DFK-V, 6) DUU 1500, , The minimum width of the cabinet is 1350 mm.



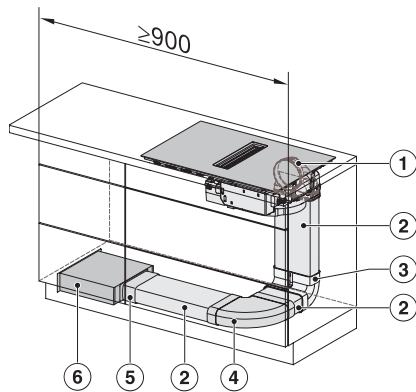
KMDA7272-1FL/FR, KMDA7473-1FL/FR, KMDA7272FL/FR, KMDA7473FL/FR – Installation variant 6 Circulating air

1) DFK-AK 90, 2) DFK-R 1000, 3) DFK-BV 90, 4) DFK-V, 5) DUU 1500, , The minimum depth of the cabinet is 935 mm.



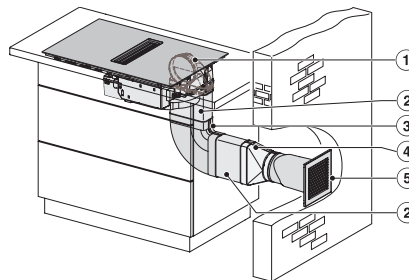
KMDA7272-1FL/FR, KMDA7473-1FL/FR, KMDA7272FL/FR, KMDA7473FL/FR – Installation variant 13 Circulating air

1) DFK-AK 90, 2) DFK-R 1000, 3) DFK-BV 90, 4) DFK-BH 90, 5) DFK-V, 6) DUU 1500, , The minimum width of the cabinet is 1125 mm.



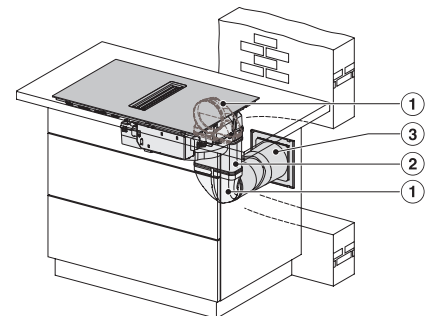
KMDA7272-1FL/FR, KMDA7473-1FL/FR, KMDA7272FL/FR, KMDA7473FL/FR – Installation variant 14 Circulating air

1) DFK-AK 90, 2) DFK-R 1000, 3) DFK-BV 90, 4) DFK-BH 90, 5) DFK-V, 6) DUU 1500, , The minimum width of the cabinet is 900 mm.



KMDA7272-1FL/FR, KMDA7473-1FL/FR, KMDA7272FL/FR, KMDA7473FL/FR – Installation variant 9 Exhaust air

1) DFK-AK 90, 2) DFK-R 1000, 3) DFK-BH 90, 4) DFK-A, 5) DMK 150-1



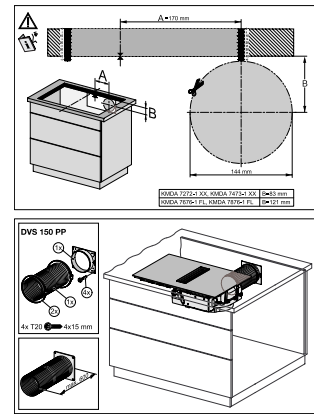
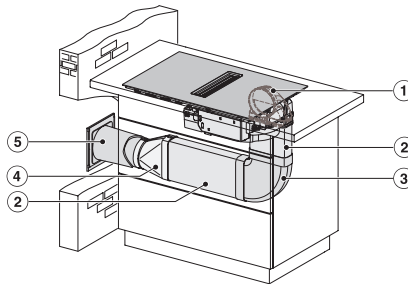
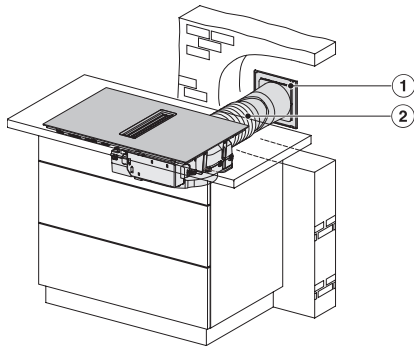
KMDA7272-1FL/FR, KMDA7473-1FL/FR, KMDA7272FL/FR, KMDA7473FL/FR – Installation variant 10 Exhaust air

1) DFK-AK 90, 2) DFK-R 1000, 3) DMK 150-1

## KMDA 7272-1 FR Silence

Induction hob with integrated vapour extraction

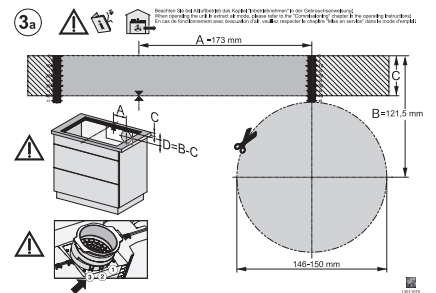
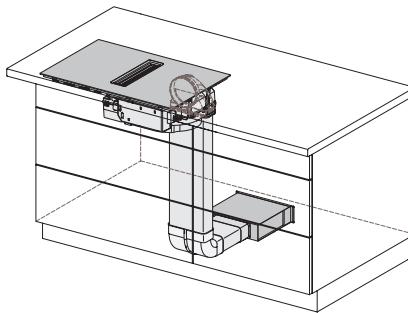
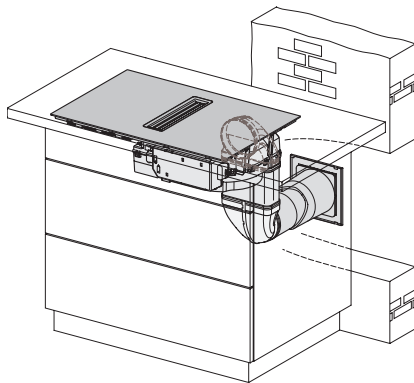
806 mm | Extraction and recirculation | SilenceMotor | Individual cooking zones



Installation plan DVS150PP

KMDA7272-1FL/FR, KMDA7473-1FL/FR, KMDA7272FL/FR, KMDA7473FL/FR – Installation variant 11 Exhaust air  
1) DMK 150-1, 2) Flex hose

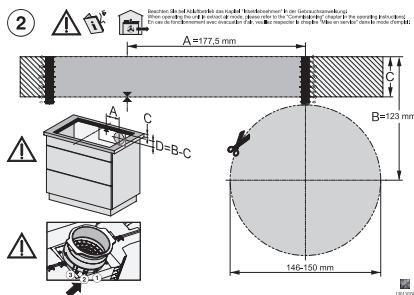
KMDA7272-1FL/FR, KMDA7473-1FL/FR, KMDA7272FL/FR, KMDA7473FL/FR – Installation variant 12 Exhaust air  
1) DFK-AK 90, 2) DFK-R 1000, 3) DFK-BH 90, 4) DFK-A, 5) DMK 150-1



KMDA7272-1FL/FR, KMDA7473-1FL/FR, KMDA7272FL/FR, KMDA7473FL/FR, Exhaust air

KMDA7272-1FL/FR, KMDA7473-1FL/FR, KMDA7272FL/FR, KMDA7473FL/FR, Air circulation

KMDA7272-1FL/FR, KMDA7473-1FL/FR – surface installation, 21 cm, drilling template



KMDA7272-1FL/FR, KMDA7473-1FL/FR – surface installation, drilling template